



PMC-05ProII

OWNER'S MANUAL

VESTAX CORPORATION

1-18-6 Wakabayashi, Setagaya-ku, Tokyo 154-0023 Japan
Phone:03-3412-7011 Fax:03-3412-7013

VESTAX America

2750N. 29th Avenue, Suite 115, Hollywood, FL33020.
Phone:954-926-6622 Fax:954-926-3304
Web:www.vestax.co.uk

VESTAX (Europe)Ltd.

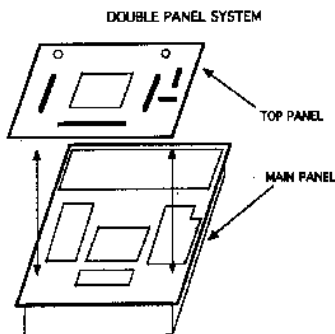
Unit 5 Riverway Industrial Park Alton, Hampshire GU34 2QL England, U.K
Phone:(0)1420-83000 Fax:(0)1420-80040
Web:www.vestaxdj.com

CONGRATULATIONS!

Thank you for purchasing VESTAX PMC-05PRO II, Professional Mixing Controller. Please read this owner's manual carefully before you start to use your mixer, so that you will fully understand all of the special features and enjoy the full use of the product.

FEATURES

- DJ's experienced in superfast Scratching and Cutting techniques have reached the pinnacle of what they can achieve on current mixers. Even the smallest obstructions such as Crossfader screws and fittings can slow down today's DJ's, or catch finger nails etc. VESTAX, (pioneer of the User Replaceable Crossfader and Transformer buttons), now introduce the DOUBLE PANEL SYSTEM (patent pending). The new PMC-05PRO II features removable flat panel that covers all screws etc., that will impede fast mixing. The panel is easily removed for crossfader and Line/Phono switch replacement.
- A superior grade crossfader is fitted to PMC-05PRO II enabling super smooth operation together with long life. Another first from VESTAX is PHOTO COUPLER operation of the crossfader. This allows Crossfade Curve adjustment. Now different styles of mixing, from long running mixes, to scratching and cutting can all be catered for by simple adjustment to the crossfade, even whilst "in the mix".
- A "Selectable Position" input Transformer switch is also fitted. It is possible to fit the switch in any of EIGHT positions, to suit the style or preference of the DJ.
- A total of 6 inputs (2 Phono, 2 Line, 2 Mic) are equipped with a 2 band equalizer (Hi and Lo, ± 12 dB) and L-R balanced volume.
- The same method of construction as the most expensive studio mixers is employed. Vertical PCB's behind the faders allow the most stringent of design criteria to be met.
- This mixer is provided the "REVERSE" switch which can change "PGM 1" sounds for "PGM 2" sounds of a crossfader in a moment



IMPORTANT SAFEGURDS

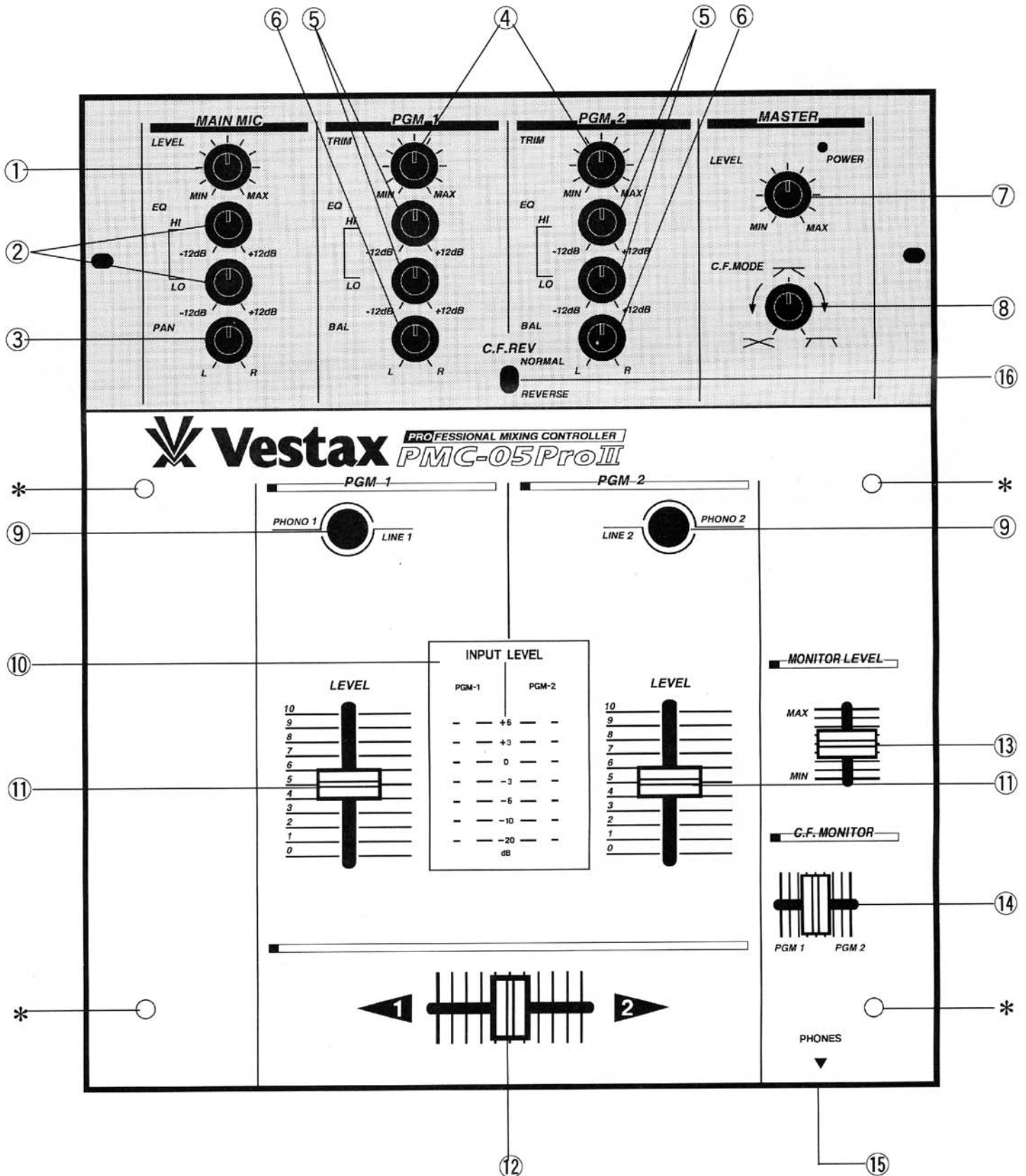
READ BEFORE OPERATING EQUIPMENT

This product was designed and manufactured to meet strict quality and safety standards. There are, however, some installation and operation precautions which you should be particularly aware of.

1. Read instructions - All the safety and operating instructions should be read before the appliance is operated.
2. Retain instructions - The safety and operating instructions should be retained for future reference.
3. Heed Warnings - All warnings on the appliance and in the operating instructions should be adhered to.
4. Follow Instructions - All operating and use instructions should be followed.
5. Cleaning - Unplug this product from the wall outlet before cleaning. Do not use liquid cleaners or aerosol cleaners. Use a damp cloth for cleaning.
6. Attachments - Do not use attachments not recommended by the product manufacturer as they may cause hazards.
7. Water and Moisture - Do not use this product near water - for example, near a bath tub, wash bowl, kitchen sink, or laundry tub, in a wet basement, or near a swimming pool, and the like.
8. Accessories - Do not place this product on an unstable cart, stand, tripod, bracket, or table. The product may fall, causing serious injury to a child or adult, and serious damage to the appliance. Use only with a cart, stand, tripod, bracket, or table recommended by the manufacturer, or sold with product. Any mounting of the appliance should follow the manufacturer's instructions, and should use a mounting accessory recommended by the manufacturer.
9. Ventilation - Slots and openings in the cabinet are provided for ventilation and to ensure reliable operation of the product and to protect it from overheating, and these openings must not be blocked or covered. The openings should never be blocked by placing the product on a bed, sofa, rug, or other similar surface. This product should never be placed near or over a radiator or heat register. This product should not be placed in a built-in installation such as a bookcase or rack unless proper ventilation is provided or the manufacturer's instructions have been adhered to.
10. Power sources - This product should be operated only from the type of power source indicated on the marking label. If you are not sure of the type of power supply to your home, consult your appliance dealer or local power company.
11. Grounding or Polarization - This product is equipped with a polarized alternating-current line plug (a plug having one blade wider than the other). This plug will fit into the power outlet only one way. This is safety feature. If you are unable to insert the plug fully into the outlet, try reversing the plug. If this should still fail to fit, contact your electrician to replace your obsolete outlet. Do not defeat the safety purpose of the polarized plug.
12. Power-Cord Protection - Power supply cords should be routed so that they are not likely to be walked on or pinched by items placed upon or against them, paying particular attention to cords at plugs, convenience receptacles, and the point where they exit from the appliance.
13. Protective Attachment Plug - The appliance is equipped with an attachment plug having overload protection. This is a safety feature. See Instruction Manual for replacement or resetting of protective device. If replacement of the plug is required, be sure the service technician has used a replacement plug specified by the manufacturer that has the same overload protection as the original plug.
14. Lightning - For added protection for this product during lightning storm, or when it is left unattended and unused for long periods of time, unplug it from the wall outlet. This will prevent damage to the product due to lightning and power-line surges.
15. Overloading - Do not overload wall outlets and extension cords as this can result in a risk of fire or electric shock.
16. Object and Liquid Entry - Never push objects of any kind into this product through openings as they may touch dangerous voltage points or short-out parts that could result in a fire or electric shock. Never spill liquid of any kind on the product.
17. Servicing - Do not attempt to service product yourself as opening or removing covers may expose you to dangerous voltage or other hazards. Refer all servicing to qualified service personnel.
18. Damage Requiring Service - Unplug this product from the wall outlet and refer servicing to qualified service personnel under the following conditions:
 - a. When the power-supply cord or plug is damaged.
 - b. If liquid has been spilled or objects have fallen into the product.
 - c. If the product has been exposed to rain or water.
 - d. If the product does not operate normally by following the operating instructions. Adjust only those controls that are covered by the operating instructions as an improper adjustment of other controls may result in damage and will often require extensive work by a qualified technician to restore the product to its normal operation.
 - e. If the product has been dropped or cabinet has been damaged.
 - f. When the product exhibits a distinct change in performance - this indicates need for service.
19. Replacement Parts - When replacement parts are required, be sure the service technician has used replacement parts specified by the manufacturer or have the same characteristics as the original parts. Unauthorized substitutions may result in fire, electric shock or other hazards.
20. Safety Check - Upon completion of any service or repairs to this product, ask the service technician to perform safety checks to determine that the product is in proper operating condition.
21. Carts and Stands - The appliance should be used only with a cart stand that is recommended by manufacturer.
22. An appliance and cart combination should be moved with care. Quick stops, excessive force, and uneven surfaces may cause the appliance and cart combination to overturn.

CONTROL AND FUNCTIONS

FRONT PANEL



① MAIN MIC LEVEL

Adjusts the input level from MAIN MIC IN.

② MIC EQs

Adjusts the HI and LO frequencies for both of MAIN and SUB MIC.

③ MIC PAN

Adjusts the panning for both MAIN and SUB MIC.

④ TRIM (PGM1, PGM2)

Adjusts the input level of each channel. Set INPUT FADER to 7-8 position, adjust TRIM so that INPUT LEVEL METER shows about 0 dB.

⑤ PGM EQs (PGM1, PGM2)

Adjusts the HI and LO frequencies for each PGM channel.

⑥ INPUT BALANCE (PGM1, PGM2)

Adjusts the stereo balance for each PGM channel. Can be used for adjusting the unbalanced stereo image caused by strong Anti-Skating setting. Clockwise rotation from center position increases volume of R over L channel. Counter clockwise rotation increases volume of L channel over R.

⑦ MASTER VOLUME

Adjusts the signal level outputs from LINE OUT.

⑧ CROSSFADER MODE

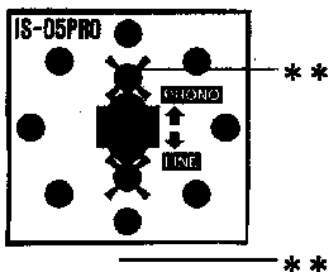
Adjusts the crossfader curve. Clockwise rotation gives a steep crossfade good for scratching and cutting. Counter clockwise rotation gives a gentle crossfade good for long running mixes.

⑨ INPUT SELECTOR (PGM1, PGM2)

Used to select the input (LINE or PHONO) to be sent to each PGM channel. Vertical position is for PHONO input. It can also be used for TRANSFORMER SCRATCH. Its operational direction is selectable, you can change the direction by removing the top panel.

How to change direction:

- Remove each fader knob and four screws (*) which fix the top panel.
- Remove the top panel.
- Remove the screws on switch panel (**) and change the direction. Then re-fix it with the screws.
- Place the top panel and fix it with four screws. Then replace each fader knob.



⑩ INPUT LEVEL METER

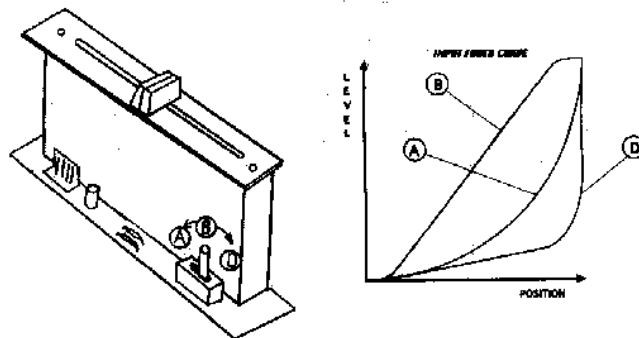
The LED level meters indicate the signal level of each PGM channel.

⑪ INPUT FADER (PGM1, PGM2)

Used to adjust input level of each PGM channel. Input fader curve can be changed with a switch located on the INPUT FADER unit. This is a detachable fader for ease of replacement. Replace with IF-05PRO when it is worn out. Please see CROSS FADER section for how to replace it.

How to change fader curve:

- Remove the top panel as for changing INPUT SELECTOR direction.
- Remove two screws which hold the INPUT FADER unit.
- Take the unit out.
- Select the curve from three kinds with the switch on the unit.
- Replace the fader unit and fix it with screws.
- Replace the top panel and fix it with four screws. Then replace each fader knob.

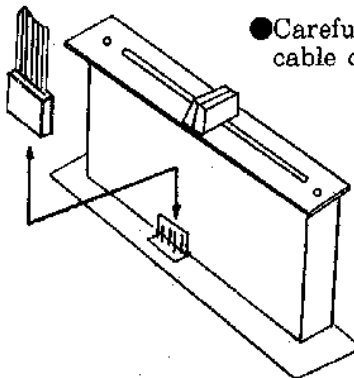


⑫ CROSS FADER

Mixes the signals of PGM1 and PGM2. When the crossfader is set in the center position, both PGM1 and PGM2 can be heard. This is a detachable fader for ease of replacement with CF-05PRO when it is worn out.

How to replace the fader:

- Remove the top panel as for changing INPUT SELECTOR direction.
- Remove two screws which hold the fader unit.
- Take the unit out.
- Carefully remove the multi-cable connector from fader unit.
- Insert the connector to the new fader unit.
- Replace the fader unit and fix it with screws.
- Replace the top panel and fix it with four screws. Then replace each fader knob.



⑬ HEADPHONES VOLUME

Adjust the headphones output level.

⑭ C. F. MONITOR

Selects PGM for monitoring as same operation as the crossfader. This signal for monitoring comes from pre-fader. It allows you to hear the input signal without sending to MASTER OUT.

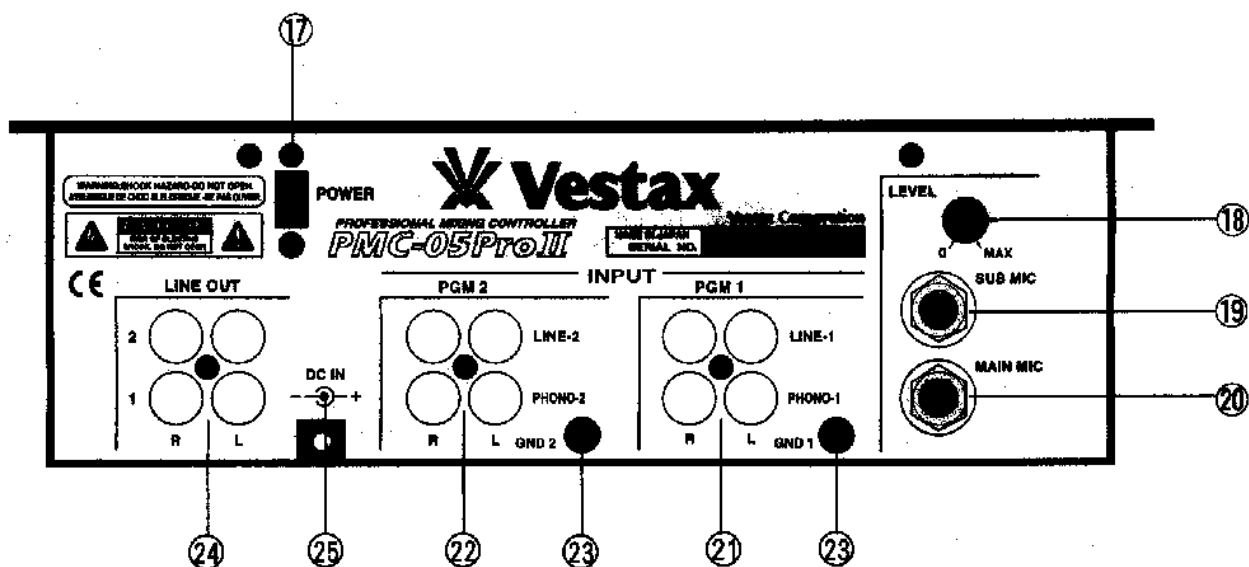
⑮ HEADPHONES JACK

When listening with stereo headphones, connect them to this jack. This features crossfaded stereo cue system.

⑯ CROSS FADER REVERSE SWITCH

Usually, as cross fader is moved the left, PGM 1 sound are outputted. But as this switch is turned on, output sounds are changed PGM 2 sounds for PGM 1 sounds in a moment. So as a cross fader is moved the left, PGM 2 sounds is outputted.

REAR PANEL



⑰ POWER SWITCH

LED located on front panel is lit when on.

⑱ SUB MIC LEVEL

Adjusts the input level from SUB MIC IN.

⑲ SUB MIC IN

Input jack for connecting a sub microphone.

⑳ MAIN MIC IN

Input jack for connecting a main microphone.

㉑ INPUT JACK 1

They are used for PGM1 input. Connect turntable equipped with MM pickup cartridge to PHONO input. CD player or tape deck are for LINE. Line level musical instruments with stereo outputs such as rhythm machine or sampler are also good for LINE.

㉒ INPUT JACK 2

They are used for PGM2 input. And work the same as INPUT JACK 1. Note: Levels are set for MM type phono cartridge. If MC type phono cartridge is used, a pre-amp is required.

㉓ GROUND TERMINAL

Connect ground lead of the turntable. This helps to reduce noise and hum.

㉔ LINE OUT

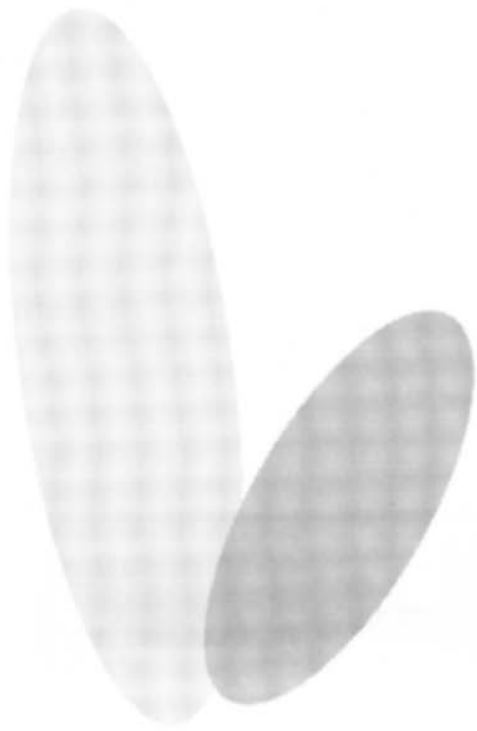
Connect to the input of power amplifier. This mixer has two pairs of LINE OUT and same signal outputs from both of OUTPUTs. This means that LINE OUT can be used for main output and sub.

㉕ DC IN

Connect AC adaptor supplied with this unit.

SPECIFICATIONS

<ul style="list-style-type: none"> ●Nominal Input Level/Impedance <li style="padding-left: 20px;">MIC <li style="padding-left: 20px;">LINE <li style="padding-left: 20px;">PHONO 	<ul style="list-style-type: none"> -54dBv/3.3kΩ -10dBv/10kΩ -42dBv/56kΩ
<ul style="list-style-type: none"> ●Nominal Output Level/Impedance <li style="padding-left: 20px;">LINE <li style="padding-left: 20px;">PHONES 	<ul style="list-style-type: none"> -7dBm/2kΩ 58mW max. @47Ω/≥8Ω
<ul style="list-style-type: none"> ●Frequency Response 	25Hz~25kHz
<ul style="list-style-type: none"> ●Cross talk 	≥100dB
<ul style="list-style-type: none"> ●SN Ratio 	≥75dB
<ul style="list-style-type: none"> ●THD 	<0.01%
<ul style="list-style-type: none"> ●Dimensions (W×H×D) 	103×320×262mm
<ul style="list-style-type: none"> ●Weight 	3.5kg





Vestax Corporation 1-18-6 Wakabayashi, Setagaya-ku, Tokyo 154-0023 Japan
Telephone : 81-(0)3-3412-7011 Fax : 81-(0)3-3412-7013. www.vestax.jp

***This is to certify that the product subsequently referred to
was designed and manufactured in conformity with the
following EC directives;
89/336/EEC (EMC)
73/23/EEC (LVD)***

Model type : Professional Mixing Controller

Model Description : Professional Performance DJ Mixer

Model Number : PMC-05Pro II

Applicable Standards : EN55013:1990+A12:1994+A13:1996 Limits and methods of measurement of radio disturbance characteristics of broadcast receivers and associated equipment (including amendments A12:1994 and A13:1996) (CISPR13:1975/Amdt1:1983, modified)
EN50082-1:1997 Electromagnetic compatibility-Generic immunity standard Part1:Residential, commercial and light industry

Date : Wednesday, December 19, 2001

Place of issue : Vestax Corporation, 1-18-6 Wakabayashi, Setagaya-ku,
Tokyo 154-0023 Japan

**Manufacturers Authorized
Signature :**

Function of Signatory :

Masaaki Shiomi

Director